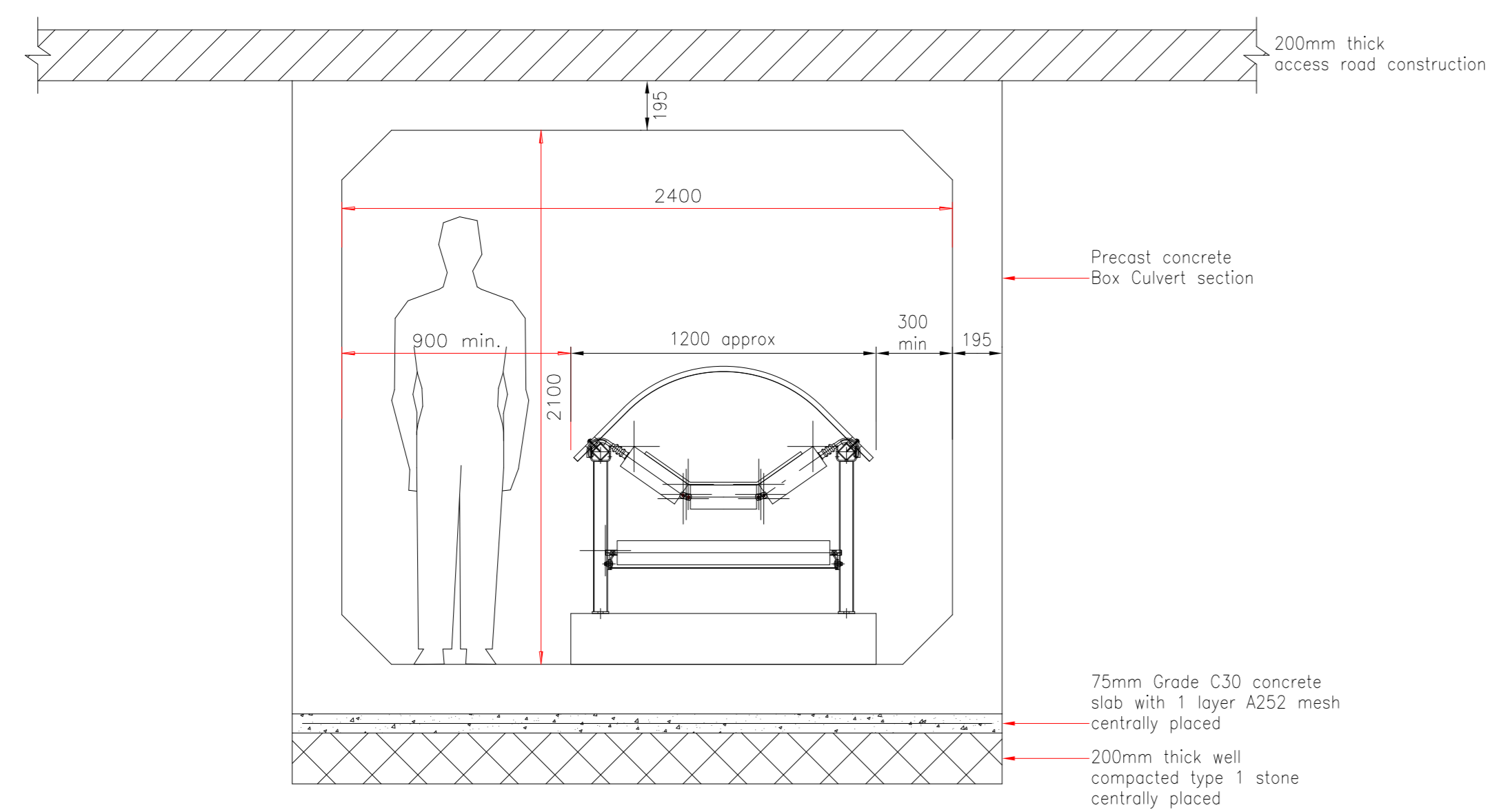
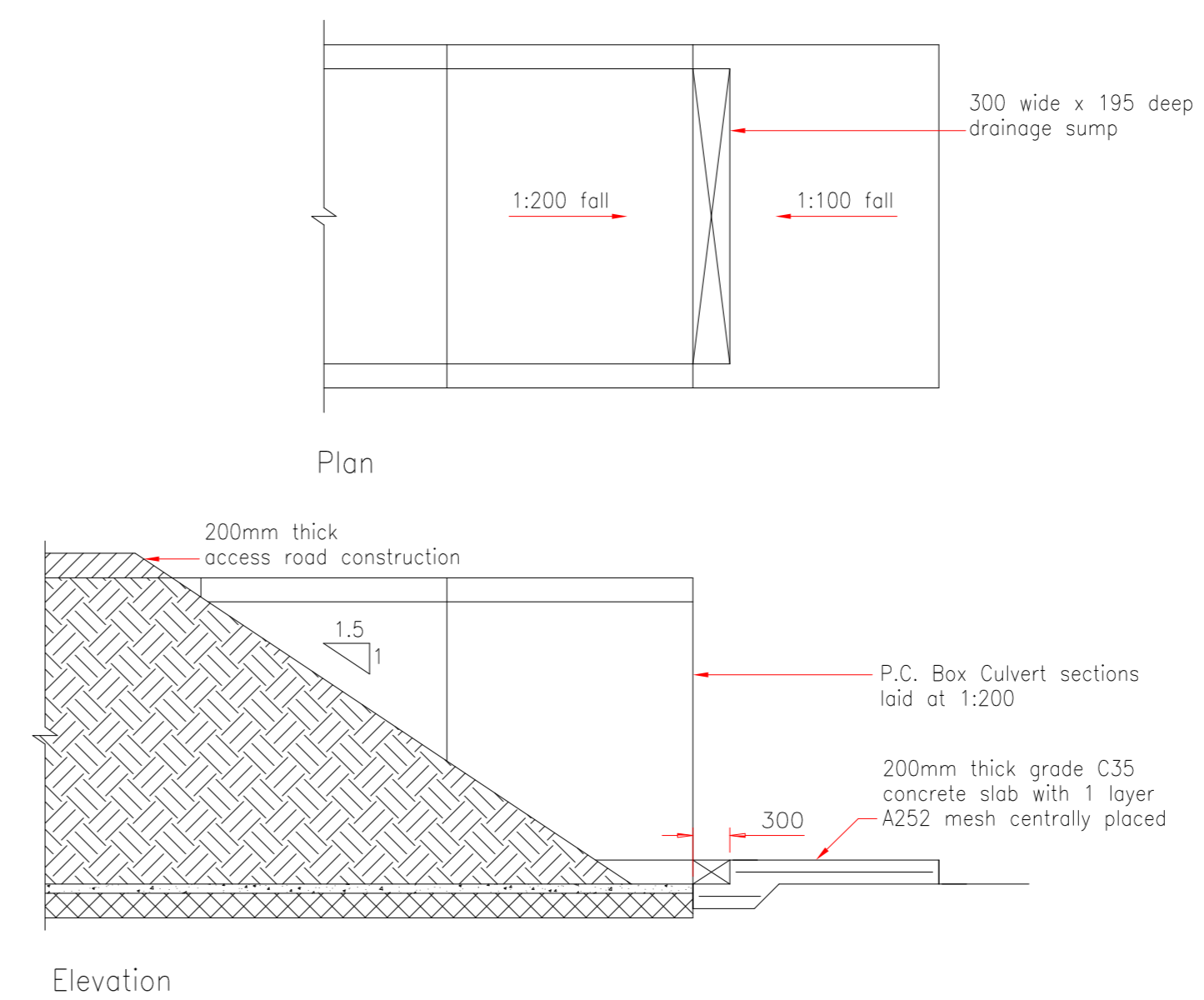


Longitudinal Section Through Access Road Adjacent To Culvert (1:100H, 1:50V)



Typical Section Through Conveyor Culvert (1:20)



Culvert Drainage Details (1:50)

Notes

All dimensions are in millimetres

All levels are in metres.

Do not scale from this drawing.

To be read in conjunction with drawing 03H05/09/06

A	FIRST ISSUE	10/03
REV	ISSUE	DATE
<b>DRAWING STATUS</b>		
<input type="radio"/> PRELIMINARY	<input type="radio"/> FOR TENDER	
<input type="radio"/> FOR CLIENTS APPROVAL	<input type="radio"/> FOR CONSTRUCTION	
<input type="radio"/> FOR BUILDING REGULATIONS/PLANNING	<input type="radio"/> AS BUILT	
<b>CLIENT</b>		
*****		
<b>PROJECT</b>		
*****		
<b>TITLE</b>		
*****		
DATE	DRAWN	DRAWING NO.
OCT 06	NM	06H05/09/03
SCALE	CHECKED	REV
AS SHOWN	KS	A